

1 2 3 4

PRODUCT NUMBER

10072354-X01-XXXLF

PLATING
S = 0.38µm GOLD/GXT ON CONTACT AREA
2µm MIN MATTE TIN ON TAIL OVER 1.27µm MIN NICKEL

G = 0.76µm GOLD/GXT ON CONTACT AREA
2µm MIN MATTE TIN ON TAIL OVER 1.27µm MIN NICKEL

F = GOLD FASH ON CONTACT AREA
2µm MIN MATTE TIN ON TAIL OVER 1.27µm MIN NICKEL

RoHS COMPATIBLE
NOTE 6

PACKAGING
NOTE 5

TOTAL NB OF POSITIONS
04 TO 50 POS

NOTES:

1. MATERIAL HOUSING: HIGH TEMP. THERMOPLASTIC
UL 94V-0, COLOR BLACK
2. MATERIAL TERMINAL: COPPER ALLOY
3. TO DETERMINE DIMENSIONS:
N = NUMBER OF POSITIONS PER ROW.
4. 7N MIN PIN RETENTION IN EITHER DIRECTION.

5. PACKAGING :

= PLASTIC BOX

U = TUBE AVAILABLE FROM 06 TO 50 POS

6. RoHS COMPATIBLE PRODUCT SPECIFICATIONS

a - PLATING

= 'LF' MEANS THE PRODUCT IS LEAD-FREE
2µm MINIMUM MATTE TIN OVER 1.27µm
MINIMUM NICKEL UNDERPLATE.

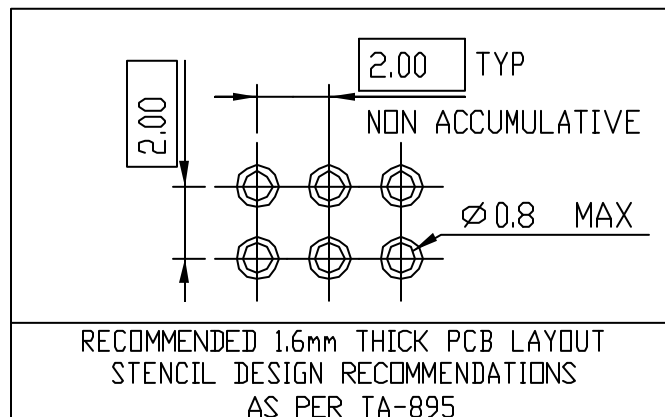
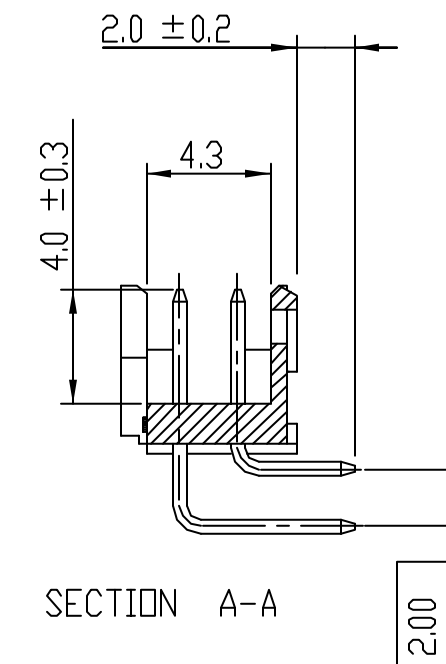
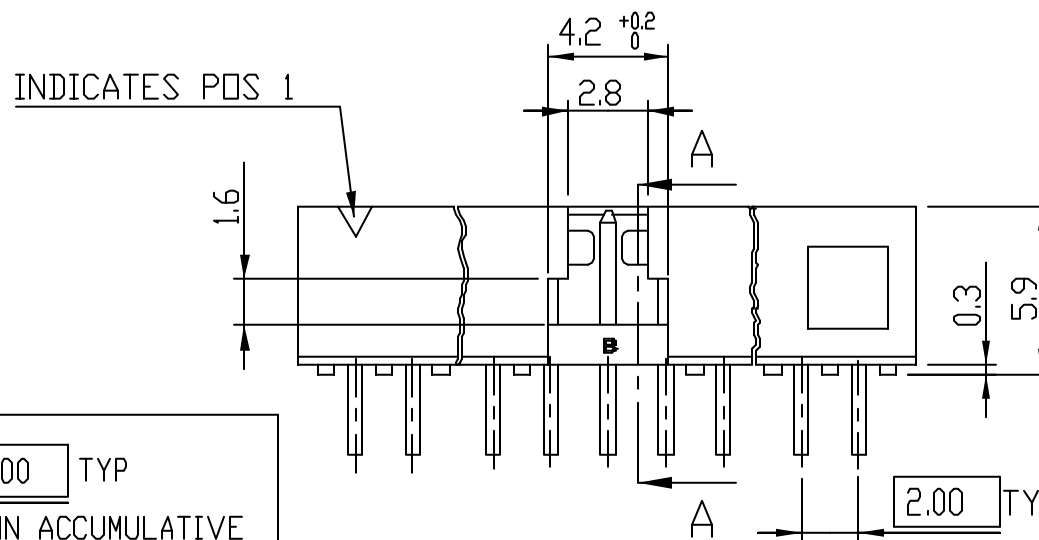
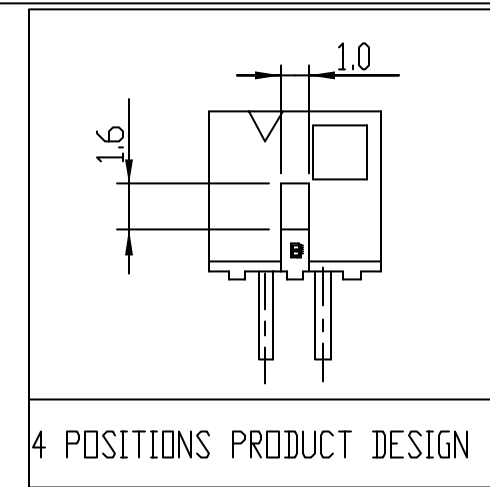
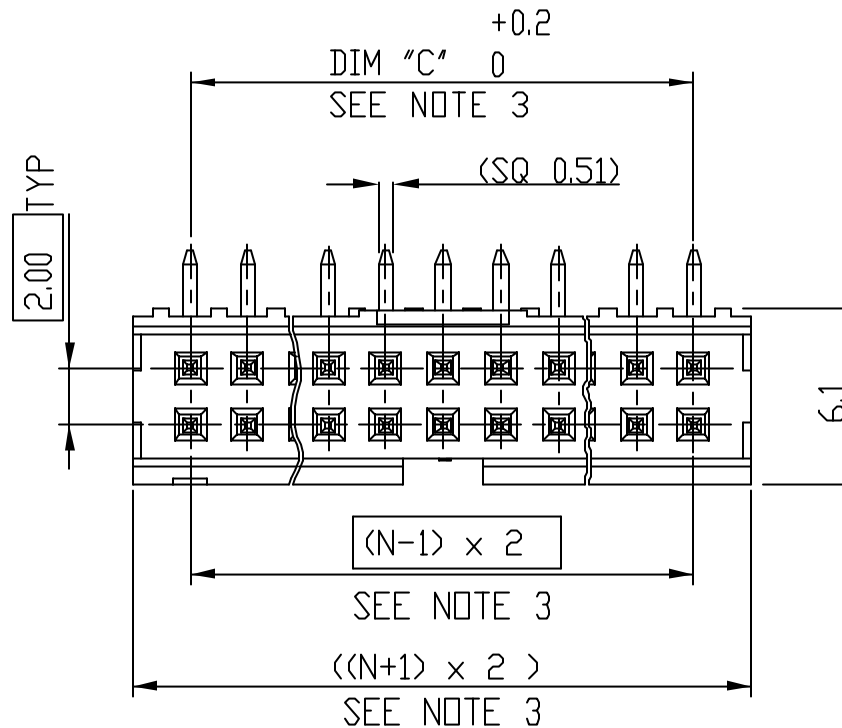
b - MANUFACTURING PROCESS COMPATIBILITY

- THE HOUSING WITHSTAND EXPOSURE TO
260°C PEAK TEMPERATURE FOR
30 SECONDS MAX IN A CONVECTION, INRA-RED
OR VAPOR PHASE OR REFLOW OVEN.

c - LABELLING:

- MEETS PACKAGING SPECS AS PER GS-14-920.

d - THIS PRODUCT MEETS EUROPEAN DIRECTIVES
AND OTHER COUNTRY REGULATIONS AS DISCRIBED
IN GS-22-008



rev	ecn no	dr	date
A	F07-0105	LMU	07.01.10
B	F08-0113	LMU	08.01.17
C	F08-0145	ELA	15.04.08
-	-	-	-
-	-	-	-
-	-	-	-
-	-	-	-

www.fciconnect.com		surface - ✓ ISO 1302	tolerance std ISO 406 ISO 1101	projection mm
		TOLERANCES UNLESS OTHERWISE SPECIFIED		size A3
Dr	L MULIN	06.09.14	ANGULAR	Scale 4:1
Eng	J COMPAGNON	06.09.14	LINEAR	
Chr	-	-	0° ±2°	ECN -
Appr	JM.C	06.09.14	Product family	Minitek Spec ref -
title		SHR HEADER		dwg no 10072354
catalog no		-		Rev. C
		CUSTOMER Drawing		sheet 1 of 1



Copyright FCI.

REV C - 2008-03-20

1 2 3 4